

Replacement Parts List for Model # 800

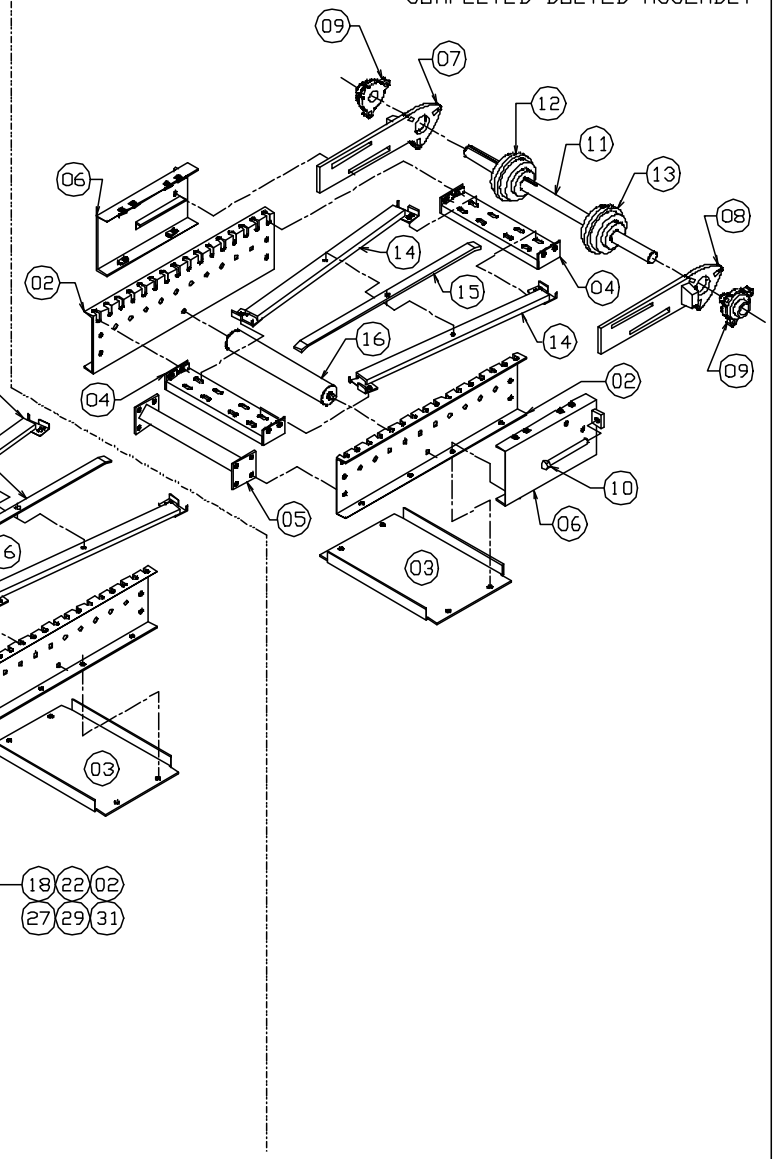
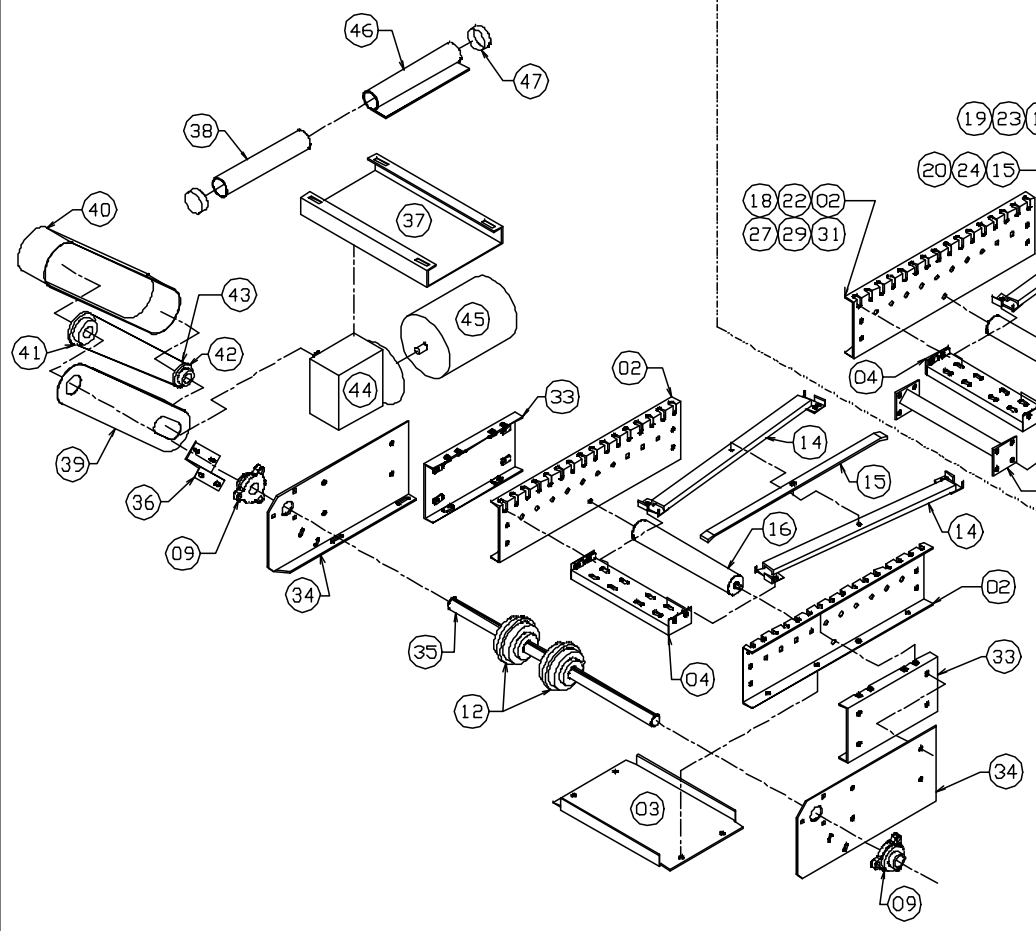


DRIVE (32)
COMPLETED BOLTED ASSEMBLY

INTERMEDIATE
COMPLETED BOLTED ASSEMBLY

INFEED (01)
COMPLETED BOLTED ASSEMBLY

(17) (21) (23) (26) (28) (30)



See next page for part numbers and descriptions



Replacement Parts List for Model # 800

PN Description

1 Take-up Section Assembly	25 24" Intermediate Section Assembly
2 24" Intermediate Frame Side	26 48" Intermediate Section Assembly
3 Bottom Spreader	27 48" Intermediate Frame Side
4 Deck Spreader Weldment	28 84" Intermediate Section Assembly
5 Spreader Weldment	29 84" Intermediate Frame Side
6 Take-up Pocket Weldment	30 120" Intermediate Section Assembly
7 Right Hand Take-up Bar	31 120" Intermediate Frame Side
8 Left Hand Take-up Bar	32 Drive Section Assembly
9 1 3/16" 3 Bolt Flange Bearing	33 • Drive Plate Mount
10 1/2" x 6" Take-up Bolt	34 • Drive Plate
11 Infeed Shaft	35 • Drive Shaft
12 Sprockets, Infeed/Drive (Fixed)	36 • 2" High "Z" Bracket
13 Sprocket, Infeed (Floater)	37 Motor Base
14 24" Carrier Channel	38 Manual Tube Weldment
15 24" Long Wearstrip	39 Guard Back
16 Deck Roller Assembly	40 Guard Weldment
17 6" Intermediate Section Assembly	41 Drive Sprocket
18 6" Intermediate Frame Side	42 • Driven Sprocket
19 6" Carrier Channel	43 • Chain
20 6" Long Wearstrip	44 • Reducer
21 12" Intermediate Section Assembly	45 • Motor
22 12" Intermediate Frame Side	46 • Manual
23 12" Carrier Channel	47 Manual Tube Cap
24 12" Long Wearstrip	

- **Recommended spare parts to be stocked at your location**