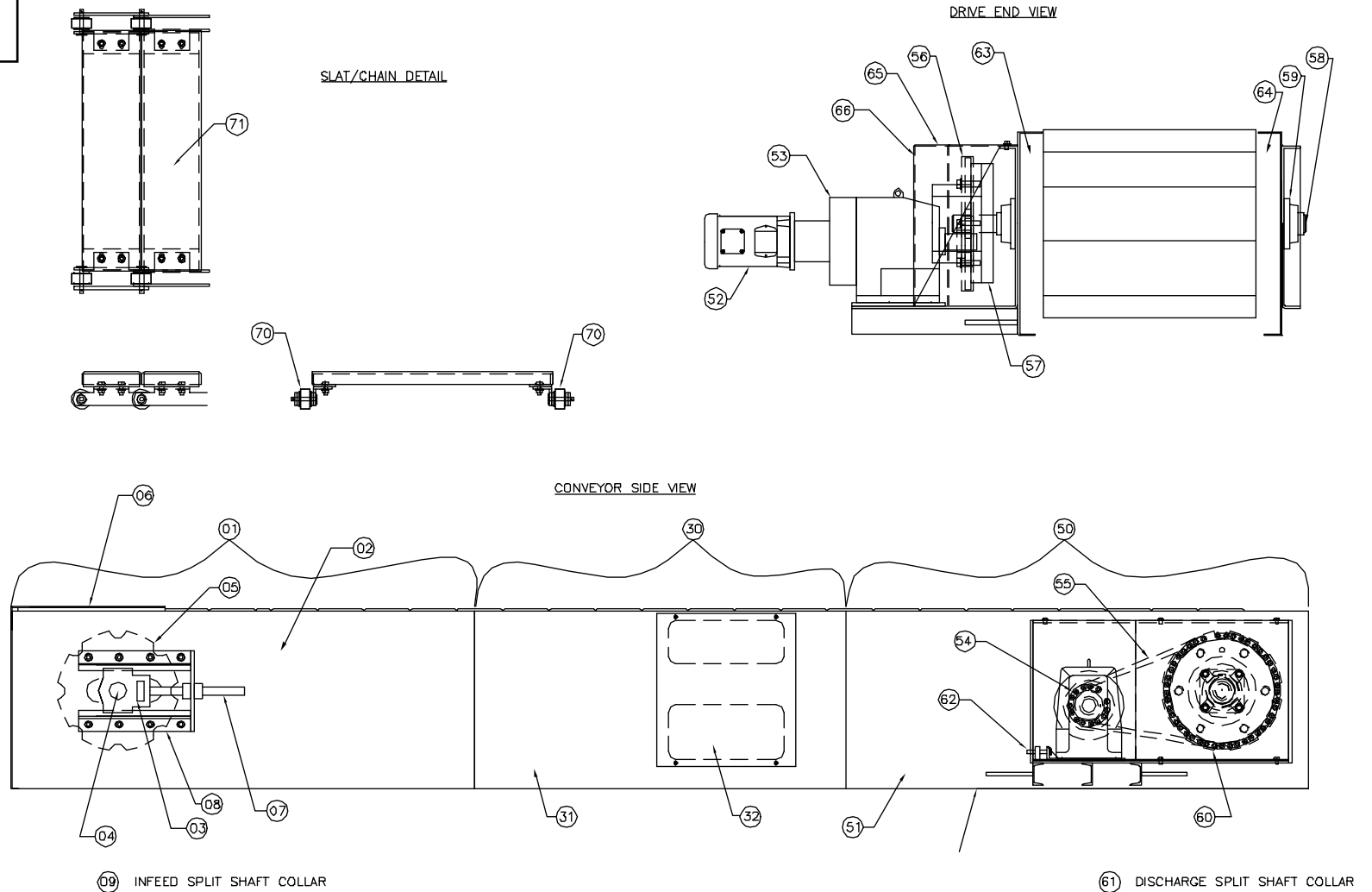


Replacement Parts List for Model # 770



PN Description

01 Tail Frame Assy (1)	07 Tail Takeup Pusher Threaded Rod (2)	51 Drive Frame Weld (1)	59 Drive Bearing (2)	64 Drive Pinch Point Guard, Idle Side (1)
02 Tail Frame Weld (1)	08 Tail Takeup Carrier Weldment (2)	52 Drive Motor (1)	60 Drive Conveyor Chain Sprocket (2)	65 Drive Chain Guard Weldment (1)
03 Tail Takeup Bearing (2)	09 Tail Split Shaft Collar (2)	53 Drive Gear Reducer (1)	61 Drive Shaft Split Shaft Collar (2)	66 Drive Chain Guard Cover (1)
04 Tail Shaft (1)	30 Intermediate Assy	54 Drive Chain Primary Sprocket (1)	62 Drive Gear Reducer Pusher Bolt (1)	70 Conveyor Chain (2)
05 Tail Conveyor Chain Sprocket (2)	31 Intermediate Frame Weld	55 Drive Chain (1)	63 Drive Pinch Point Guard, Drive Side (1)	71 Slat Weldment
06 Tail End Cover (1)	32 Access Panel	56 Drive Secondary Sprocket (1)		
	50 Drive Assembly (1)	57 Drive Shear Pin Assembly (1)		
		58 Drive Shaft (1)		