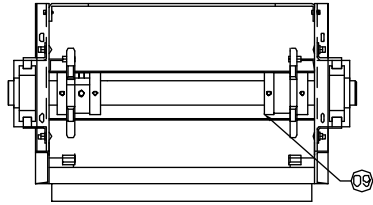
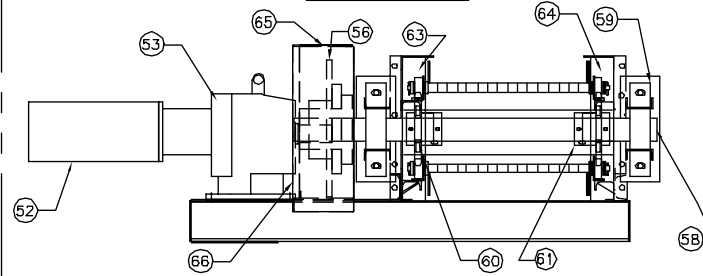


Replacement Parts List for Model # 760

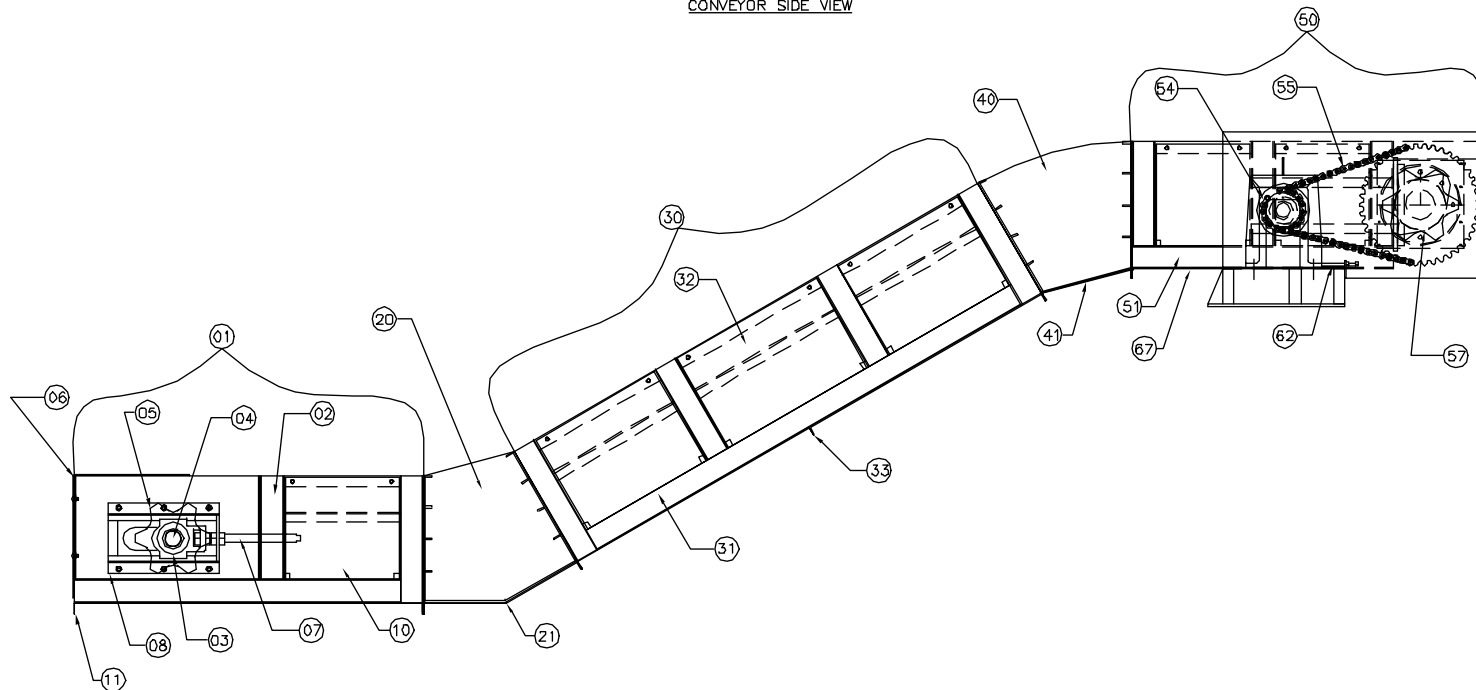
INFEEED END VIEW



DISCHARGE END VIEW



CONVEYOR SIDE VIEW



PN Description

01 Tail Frame Assy (1)	08 Tail Takeup Carrier Weldment (2)	40 Upper Curve Weldment	58 Drive Shaft (1)	Idle Side (1)
02 Tail Frame Weld (1)	09 Tail Split Shaft Collar (4)	41 Upper Curve Bottom Pan	59 Drive Bearing (2)	65 Drive Chain Guard Weldment (1)
03 Tail Takeup Bearing (2)	10 Tail Access Panel (2)	50 Drive Assembly (1)	60 Drive Conveyor Chain Sprocket (2)	66 Drive Chain Guard Cover (1)
04 Tail Shaft (1)	11 Tail Bottom Pan	51 Drive Frame Weld (1)	61 Drive Shaft Split Shaft Collar (4)	67 Drive Bottom Pan
05 Tail Conveyor Chain Sprocket (2)	20 Lower Curve Weldment	52 Drive Motor (1)	62 Drive Gear Reducer Pusher Bolt (1)	70 Conveyor Chain (2)
06 Tail End Cover (1)	21 Lower Curve Bottom Pan	53 Drive Gear Reducer (1)	63 Drive Pinch Point Guard, Drive Side (1)	71 Slat Weldment
07 Tail Takeup Pusher Threaded Rod (2)	30 Intermediate Assy	54 Drive Chain Primary Sprocket (1)	64 Drive Pinch Point Guard, Idle Side (1)	
	31 Intermediate Frame Weld	55 Drive Chain (1)		
	32 Intermediate Access Panel	56 Drive Secondary Sprocket (1)		
	33 Intermediate Bottom Pan	57 Drive Shear Pin Assembly (1)		