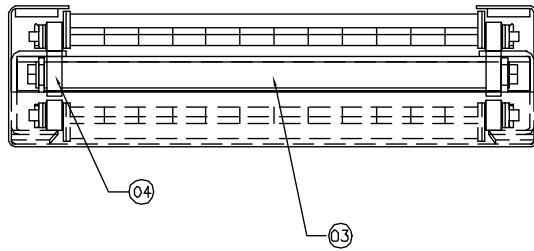
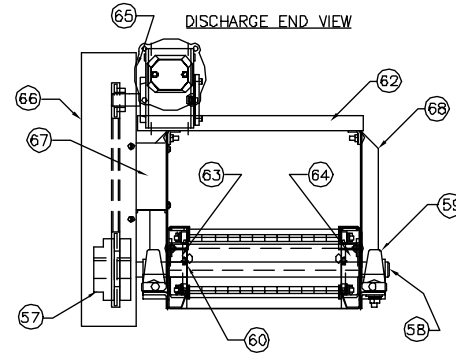


Replacement Parts List for Model # 715

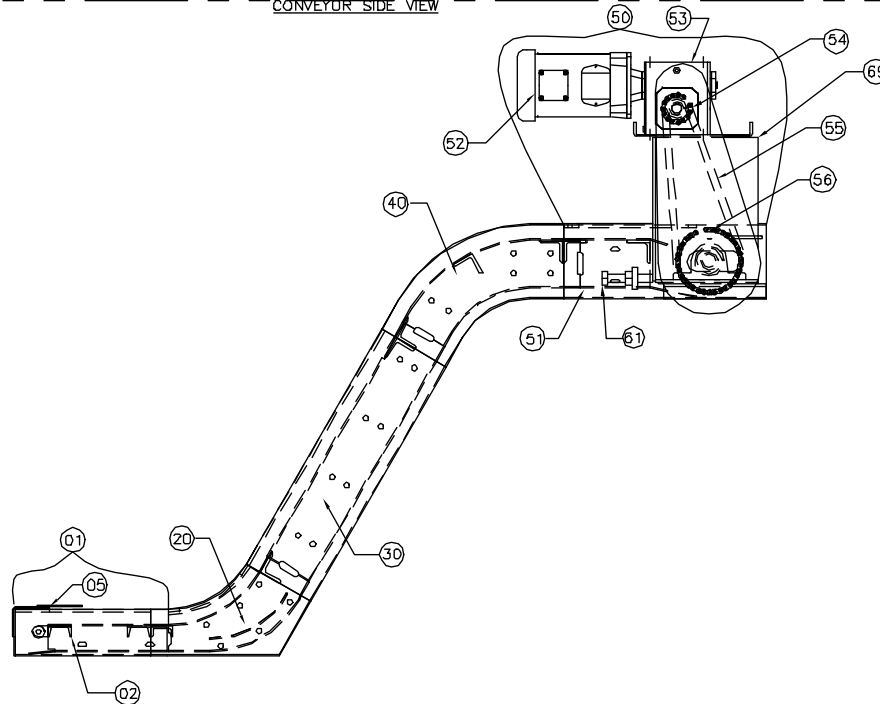
INFEED END VIEW



DISCHARGE END VIEW



CONVEYOR SIDE VIEW



PN Description

01 Tail Frame Assy (1)	40 Upper Curve Weldment	57 Drive Torque Limiter Clutch Assembly (1)	63 Drive Pinch Point Guard, Drive Side (1)
02 Tail Frame Weld (1)	50 Drive Assembly (1)	58 Drive Shaft (1)	64 Drive Pinch Point Guard, Idle Side (1)
03 Tail Shaft (1)	51 Drive Frame Weld (1)	59 Drive Bearing (2)	65 Drive Chain Guard Back (1)
04 Tail Hub (2)	52 Drive Motor (1)	60 Drive Conveyor Chain Sprocket (2)	66 Drive Chain Guard Front (1)
05 Tail End Cover (1)	53 Drive Gear Reducer (1)	61 Conveyor Chain Tensioning Pusher Bolt (1)	67 Drive Chain Guard Bracket (1)
20 Lower Curve Weldment	54 Drive Chain Primary Sprocket (1)	62 Motor Base (1)	68 Headplate, Idle Side (1)
30 Intermediate Frame Weldment	55 Drive Chain (1)		69 Headplate, Drive Side (1)
	56 Drive Secondary Sprocket (1)		