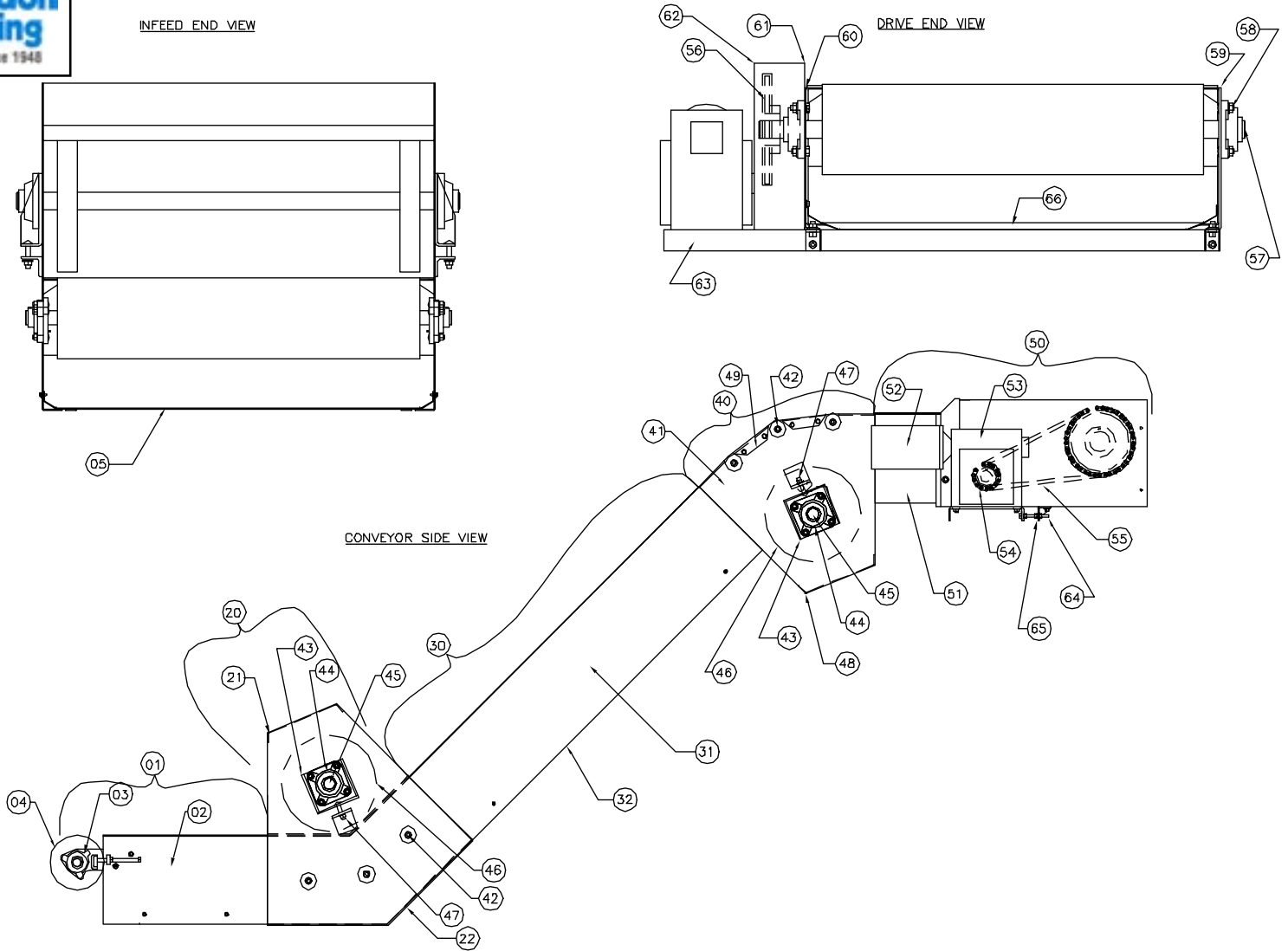


Replacement Parts List for Model # 590 and Model # 591



PN Description

01 Tail Frame Assy (1)	21 Lower Curve Frame Weldment (1)	40 Upper Curve Frame Assy (1)	Deck (2)	59 Idle Side Headplate (1)
02 Tail Frame Weld (1)	22 Lower Curve Bottom Pan (2)	41 Upper Curve Frame Weldment (1)	50 Drive Assembly (1)	60 Drive Side Headplate (1)
03 Tail Takeup Bearing (2)	*** (See Upper Curve For Additional Part Descriptions)	42 Curve Roller Assembly (3)	51 Drive Frame Weld (1)	61 Drive Chain Guard Back (1)
04 Tail Shaft/pulley Weldment (1)		43 Curve Wheel Tracking Bracket (2)	52 Drive Motor (1)	62 Drive Chain Guard Front (1)
05 Tail Bottom Pan (1)		44 Curve Wheel Bearing (2)	53 Drive Gear Reducer (1)	63 Motor Base (1)
20 Lower Curve Frame Assy (1)		45 Curve Wheel Shaft (1)	54 Drive Chain Primary Sprocket (1)	64 Drive Chain Tensioner Bolt (2)
	30 Intermediate Assy	46 Curve Wheel (2)	55 Drive Chain (1)	65 Drive Chain Tensioner Bolt Bracket (2)
	31 Intermediate Frame Weld	47 Curve Wheel Tensioner Bolt (2)	56 Drive Secondary Sprocket (1)	66 Drive Bottom Pan (1)
	32 Intermediate Bottom Pan	48 Upper Curve Bottom Pan (1)	57 Drive Shaft/pulley Weldment (1)	
		49 Upper Curve Bolted Central	58 Drive Bearing (2)	