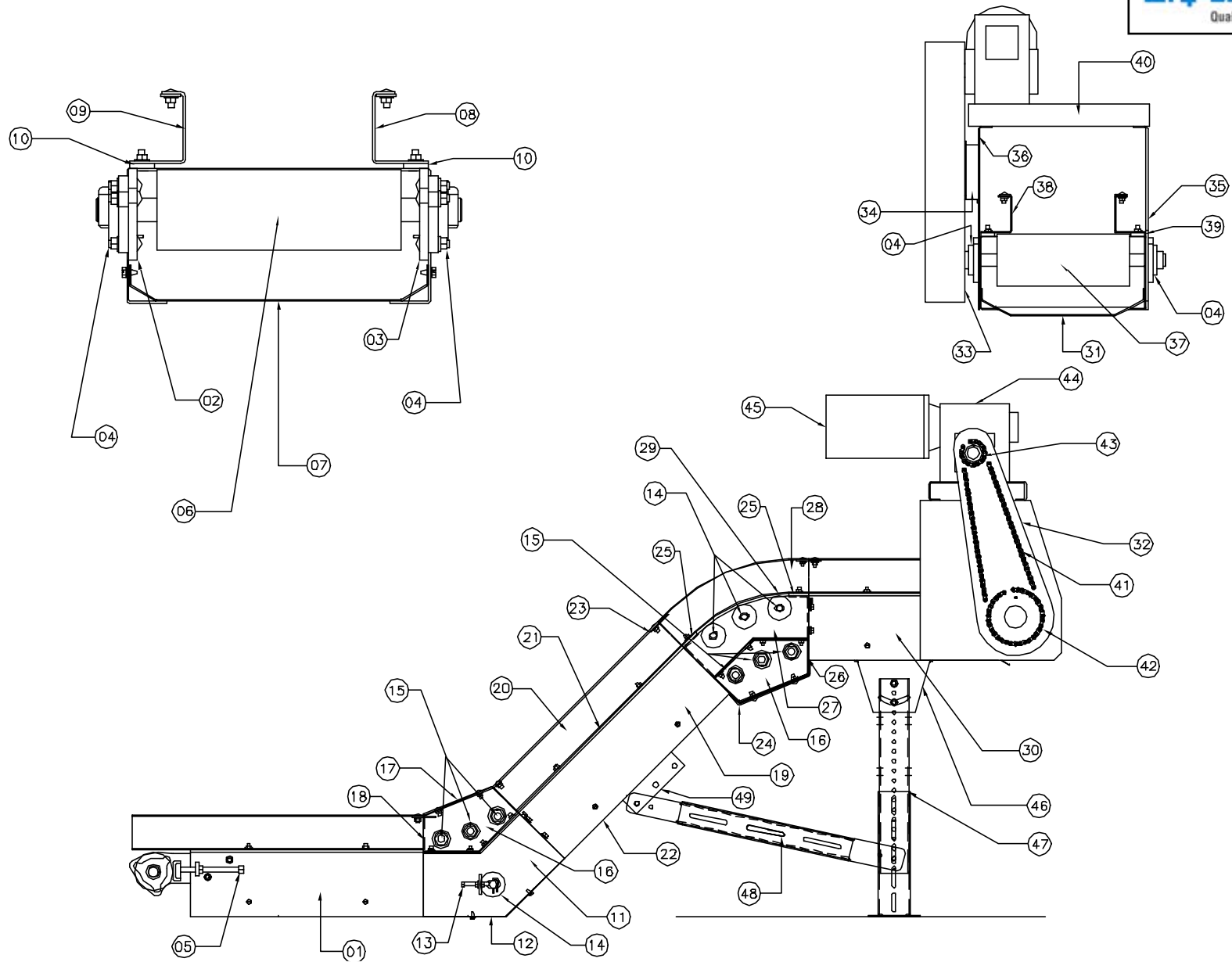


# Replacement Parts List for Model # 521 T3



See next page for part numbers and descriptions



## Replacement Parts List for Model # 521 T3

### PN Description

01 Infeed Frame Weldment	29 Upper Curve Siderail Lower Lip
02 Left Hand Take Up Bar	30 Drive Frame Weldment
03 Right Hand Take Up Bar	31 Drive Section Bottom Pan
04 1-3/16" 3 Hole Flanged Bearing	32 Guard Back
05 1/2" X 6" Take Up Bolt	33 Guard Weldment
06 Infeed Pulley (4" Dia Cf X 1-3/16")	34 Guard Mounting Bracket
07 Infeed Bottom Pan	35 Non-motor Side Drive Plate
08 Right Hand Infeed Siderail	36 Motor Side Drive Plate
09 Left Hand Infeed Siderail	37 Drive Pulley (4" Dia Cf X 1-3/16")
10 Infeed Siderail Spacer	38 24" Long Siderails
11 Lower Curve Frame Weldment	39 Drive Siderail Spacers
12 Lower Curve Bottom Pan	40 Motor Base
13 Curve Roller Adjustment Bolt (3/8-16 X 2 1/2")	41 Drive Chain
14 Curve Roller Assembly	42 Drive Sprocket
15 Bearing Cam Follower X 1 7/8"	43 Driven Sprocket
16 Corner Bracket Cam Mounting	44 Reducer
17 Cam Follower Guard	45 Motor
18 Cam Corner Guard	46 Smile Bracket
19 Intermediate Frame Weldment	47 Support Leg Assembly
20 Intermediate Siderails	48 Knee Brace Assembly
21 Intermediate Siderail Spacers	49 Knee Brace Mounting Bracket
22 Intermediate Bottom Pan	
23 Siderail Coupling	
24 Upper Curve Bottom Guard	
25 Upper Curve Spacer	
26 Upper Curve Guard	
27 Upper Curve Frame Weldment	
28 Upper Curve Siderail	