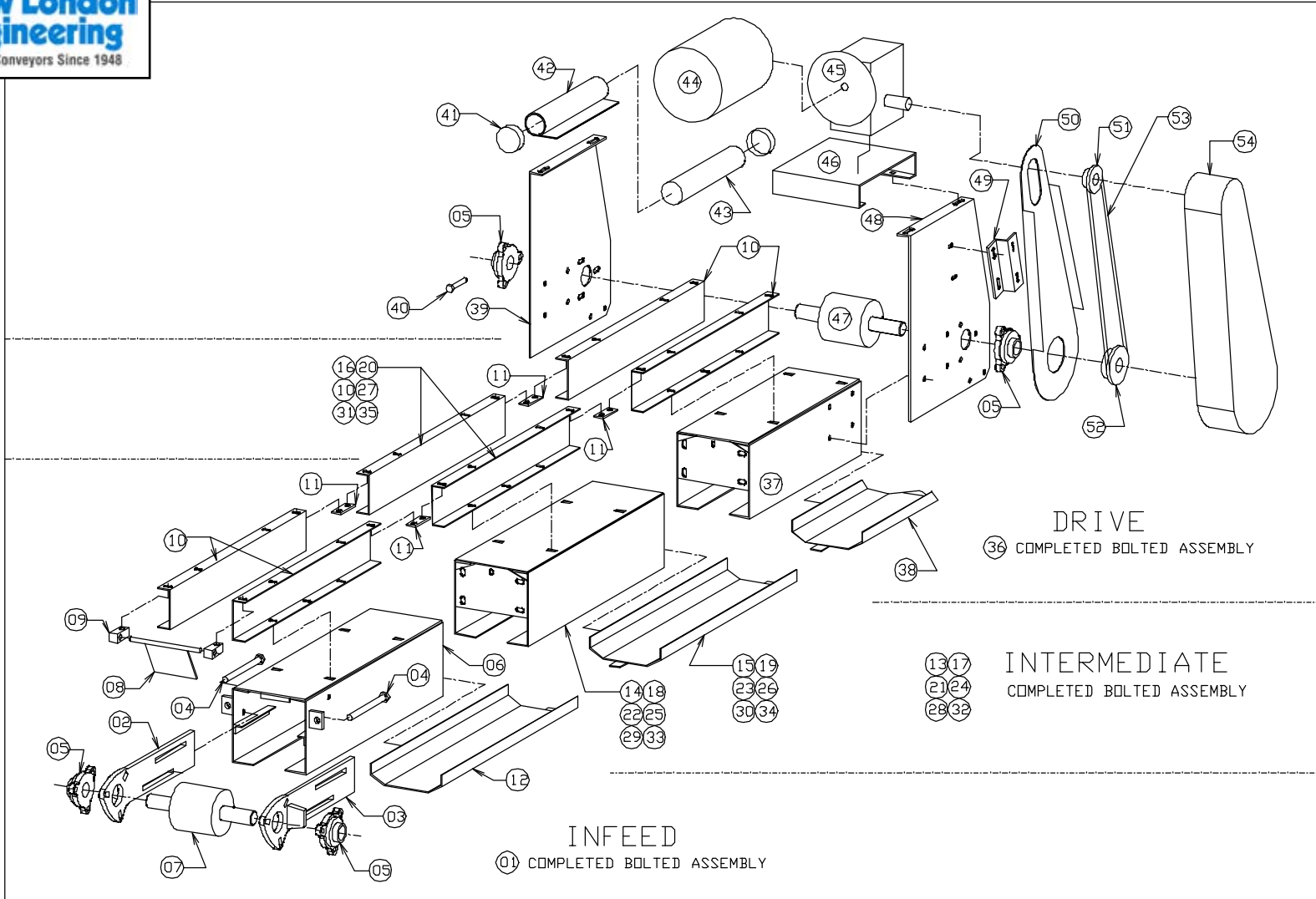


Replacement Parts List for Model # 500



PN Description

- 1 Infeed Section Assembly
- 2 • Left Hand Take-up Bar
- 3 • Right Hand Take-up Bar
- 4 • 1/2" x 6" Take-up Bolt
- 5 • 1 3/16" 3 Bolt Flange Bearing
- 6 Infeed Frame Weldment
- 7 Infeed Pulley (4" Dia CF x 1 3/16")
- 8 Flapper Gate Weldment
- 9 Flapper Gate Hinge
- 10 24" Long Siderail

- 11 Siderail Coupling
- 12 Infeed Bottom Pan Weldment
- 13 6" Intermediate Section Assy
- 14 6" Intermediate Frame Weldment
- 15 6" Long Bottom Pan Weldment
- 16 6" Long Siderail
- 17 12" Intermediate Section Assy
- 18 12" Intermediate Frame Weldment
- 19 12" Long Bottom Pan Weldment
- 20 12" Long Siderail
- 21 24" Intermediate Section Assembly
- 22 24" Intermediate Frame Weldment

- 23 24" Long Bottom Pan Weldment
- 24 48" Intermediate Section Assembly
- 25 48" Intermediate Frame Weldment
- 26 48" Long Bottom Pan Weldment
- 27 48" Long Siderail
- 28 84" Intermediate Section Assembly
- 29 84" Intermediate Frame Weldment
- 30 84" Long Bottom Pan Weldment
- 31 84" Long Siderail
- 32 120" Intermediate Section Assy
- 33 120" Intermediate Frame Weldment
- 34 120" Long Bottom Pan Weldment

- 35 120" Long Siderail
- 36 Drive Section Assembly
- 37 Drive Frame Weldment
- 38 Drive Bottom Pan Weldment
- 39 Left Hand Drive Plate Weldment
- 40 3/8" x 2 1/2" Tap Bolt
- 41 Manual Tube Cap
- 42 Manual
- 43 Manual Tube Weldment
- 44 Motor
- 45 Reducer
- 46 Motor Base

- 47 Drive Pulley (4" Dia CFRL x 1 3/16")
- 48 Right Hand Drive Plate
- 49 "Z" Bracket
- 50 Guard Back
- 51 Driven Sprocket
- 52 Drive Sprocket
- 53 Chain
- 54 Guard Weldment

• **Recommended spare parts to be stocked at your location**