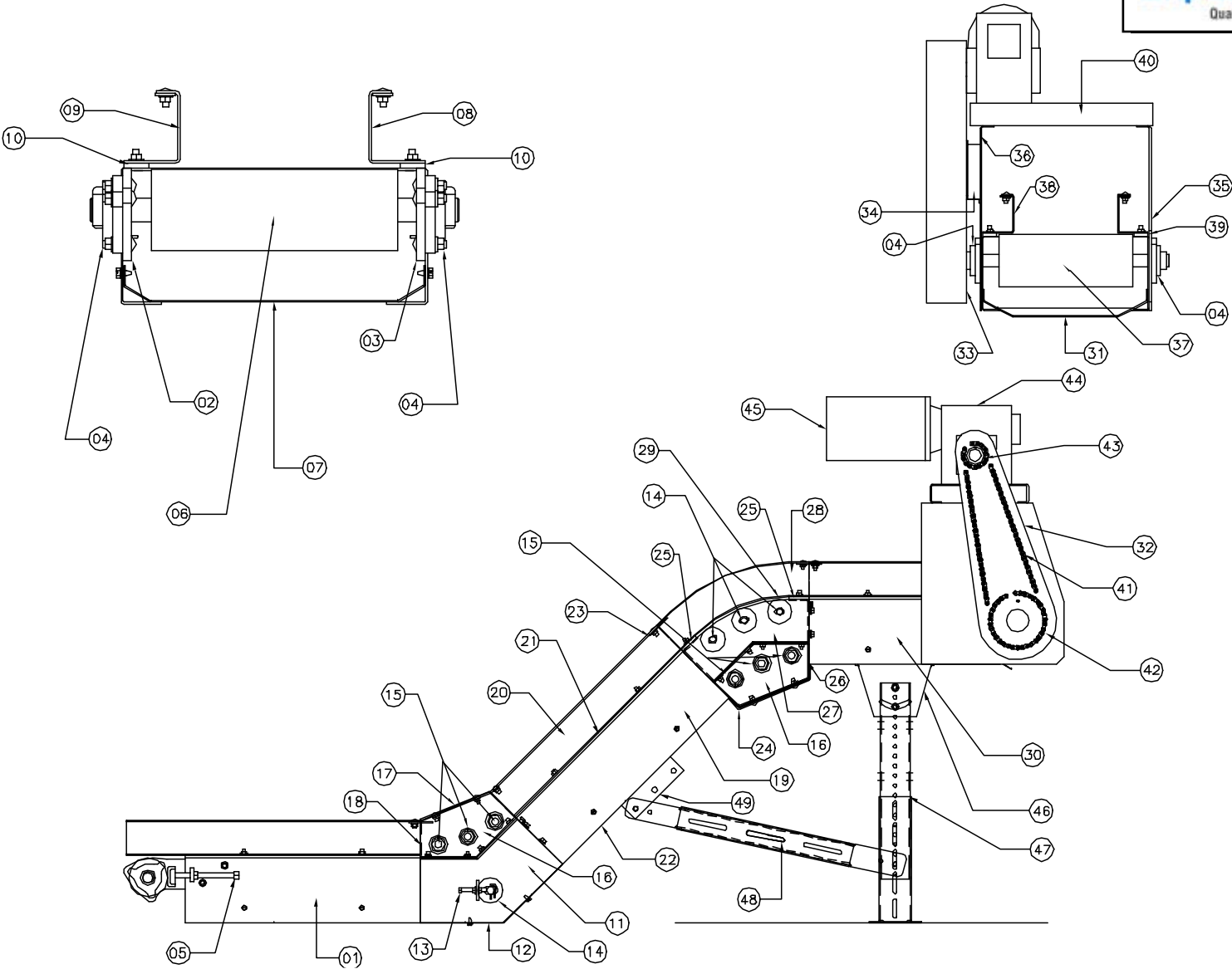


Replacement Parts List for Model # 361



See next page for part numbers and descriptions



Replacement Parts List for Model # 361

PN Description

| | |
|---|--|
| 01 Infeed Frame Weldment | 29 Upper Curve Siderail Lower Lip |
| 02 Left Hand Take Up Bar | 30 Drive Frame Weldment |
| 03 Right Hand Take Up Bar | 31 Drive Section Bottom Pan |
| 04 1-3/16" 3 Hole Flanged Bearing | 32 Guard Back |
| 05 1/2" X 6" Take Up Bolt | 33 Guard Weldment |
| 06 Infeed Pulley (4" Dia Cf X 1-3/16") | 34 Guard Mounting Bracket |
| 07 Infeed Bottom Pan | 35 Non-motor Side Drive Plate |
| 08 Right Hand Infeed Siderail | 36 Motor Side Drive Plate |
| 09 Left Hand Infeed Siderail | 37 Drive Pulley (4" Dia Cfrl X 1-3/16") |
| 10 Infeed Siderail Spacer | 38 24" Long Siderails |
| 11 Lower Curve Frame Weldment | 39 Drive Siderail Spacers |
| 12 Lower Curve Bottom Pan | 40 Motor Base |
| 13 Curve Roller Adjustment Bolt (3/8-16 X 2 1/2") | 41 Drive Chain |
| 14 Curve Roller Assembly | 42 Drive Sprocket |
| 15 Bearing Cam Follower X 1 7/8" | 43 Driven Sprocket |
| 16 Corner Bracket Cam Mounting | 44 Reducer |
| 17 Cam Follower Guard | 45 Motor |
| 18 Cam Corner Guard | 46 Smile Bracket |
| 19 Intermediate Frame Weldment | 47 Support Leg Assembly |
| 20 Intermediate Siderails | 48 Knee Brace Assembly |
| 21 Intermediate Siderail Spacers | 49 Knee Brace Mounting Bracket |
| 22 Intermediate Bottom Pan | |
| 23 Siderail Coupling | |
| 24 Upper Curve Bottom Guard | |
| 25 Upper Curve Spacer | |
| 26 Upper Curve Guard | |
| 27 Upper Curve Frame Weldment | |
| 28 Upper Curve Siderail | |