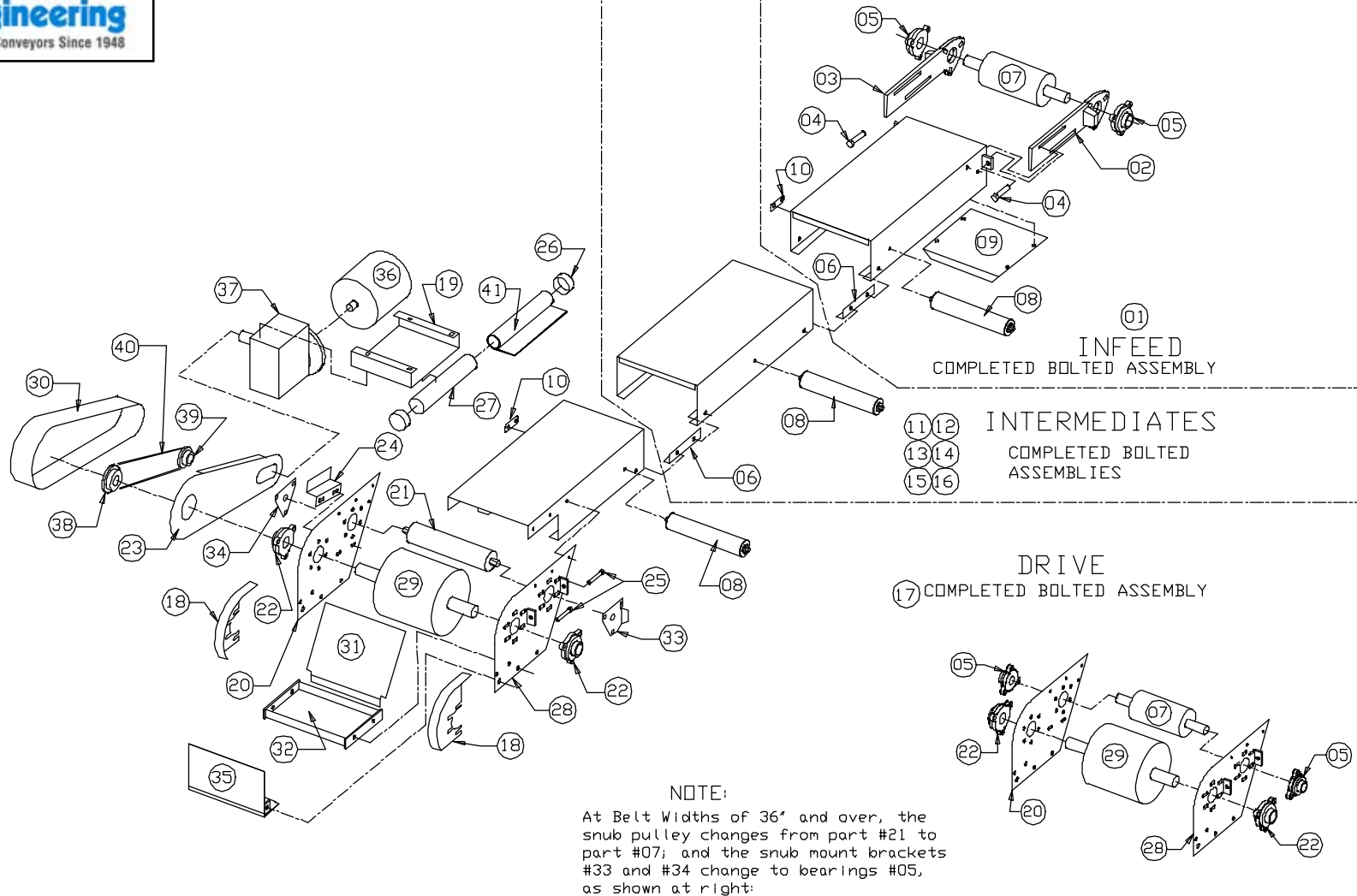
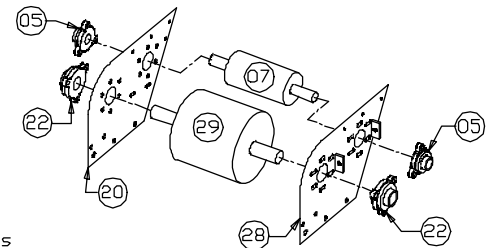


Replacement Parts List for Model # 321



NOTE:

At Belt Widths of 36' and over, the snub pulley changes from part #21 to part #07; and the snub mount brackets #33 and #34 change to bearings #05, as shown at right:



PN Description

- 1 Infeed Section Assy
- 2 • Left Hand Take-up Bar
- 3 • Right Hand Take-up Bar
- 4 • 1/2" x 6" Take-up Bolt
- 5 • 1 3/16" 3 Bolt Flange Bearing
- 6 Splice Link Angle
- 7 • Infeed Pulley (4" dia CF x 1 3/16")

- 8 • Return Roller/Hex Shaft (2" x 7/16")
- 9 Infeed Reinforcement Plate
- 10 Adjustment Bracket
- 11 6" Intermediate Section Assy
- 12 12" Intermediate Sect Assy
- 13 24" Intermediate Sect Assy
- 14 48" Intermediate Sect Assy
- 15 84" Intermediate Sect Assy
- 16 120" Intermediate Sect Assy

- 17 Drive Section Assy
- 18 End Pulley Guard
- 19 Motor Base
- 20 Right Drive Plate Weldment
- 21 • Snub Roller/Hex Shaft (2 1/2" dia x 11/16")
- 22 1 7/16" 3 Bolt Flange Bearing
- 23 Guard Back
- 24 Drive Guard Bracket
- 25 3/8" x 2 1/2" Push Bolt

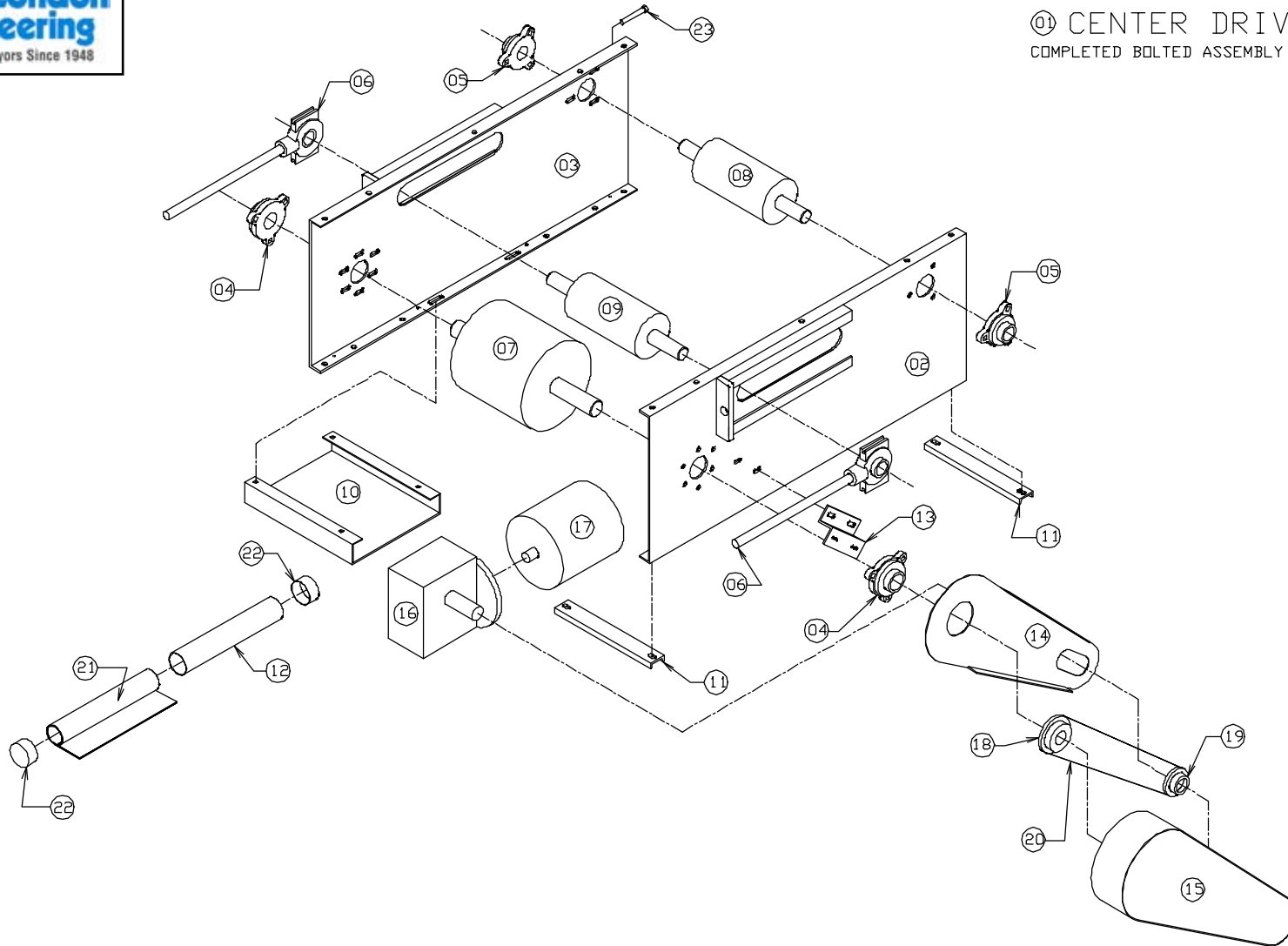
- 26 Manual Tube Weldment/Cap
- 28 Left Drive Plate Weldment
- 29 Drive Pulley (9" dia CFRL x 1 7/16")
- 30 Guard Weldment
- 31 Guard
- 32 Crossmember Weldment
- 33 Left Hand Adaptor Bracket
- 34 Right Hand Adaptor Bracket
- 35 Drive Pulley Guard

- 36 • Motor
- 37 • Reducer
- 38 • Drive Sprocket
- 39 • Driven Sprocket
- 40 • Chain
- 41 Manual

• **Recommended spare parts to be stocked at your location**

Replacement Parts List for Model # 321 Center Drive

01 CENTER DRIVE
COMPLETED BOLTED ASSEMBLY



PN Description

1 Center Drive & Take-up
Section Assembly

2 Motor Side Drive Plate

3 Non-Motor Side Drive Plate

4 • 1 7/16" 3 Bolt Flange Bearing

5 • 1 3/16" 3 Bolt Flange Bearing

6 • Take-up Bearing Assembly

7 • Drive Pulley
(9" dia CFRL x 1 7/16")

8 • Snub Roller/Hex Shaft
(4" dia x 1 3/16")

9 • Take-up Pulley
(4" dia CF x 1 3/16")

10 Motor Base

11 Channel Spreader

12 Manual Tube

13 "Z" Bracket

14 Guard Back

15 Guard Weldment

16 • Reducer

17 • Motor

18 • Driven Sprocket

19 • Drive Sprocket

20 • Chain

21 Manual

22 Manual Tube Cap

23 Take-up Bolt

• Recommended spare parts
to be stocked at your location