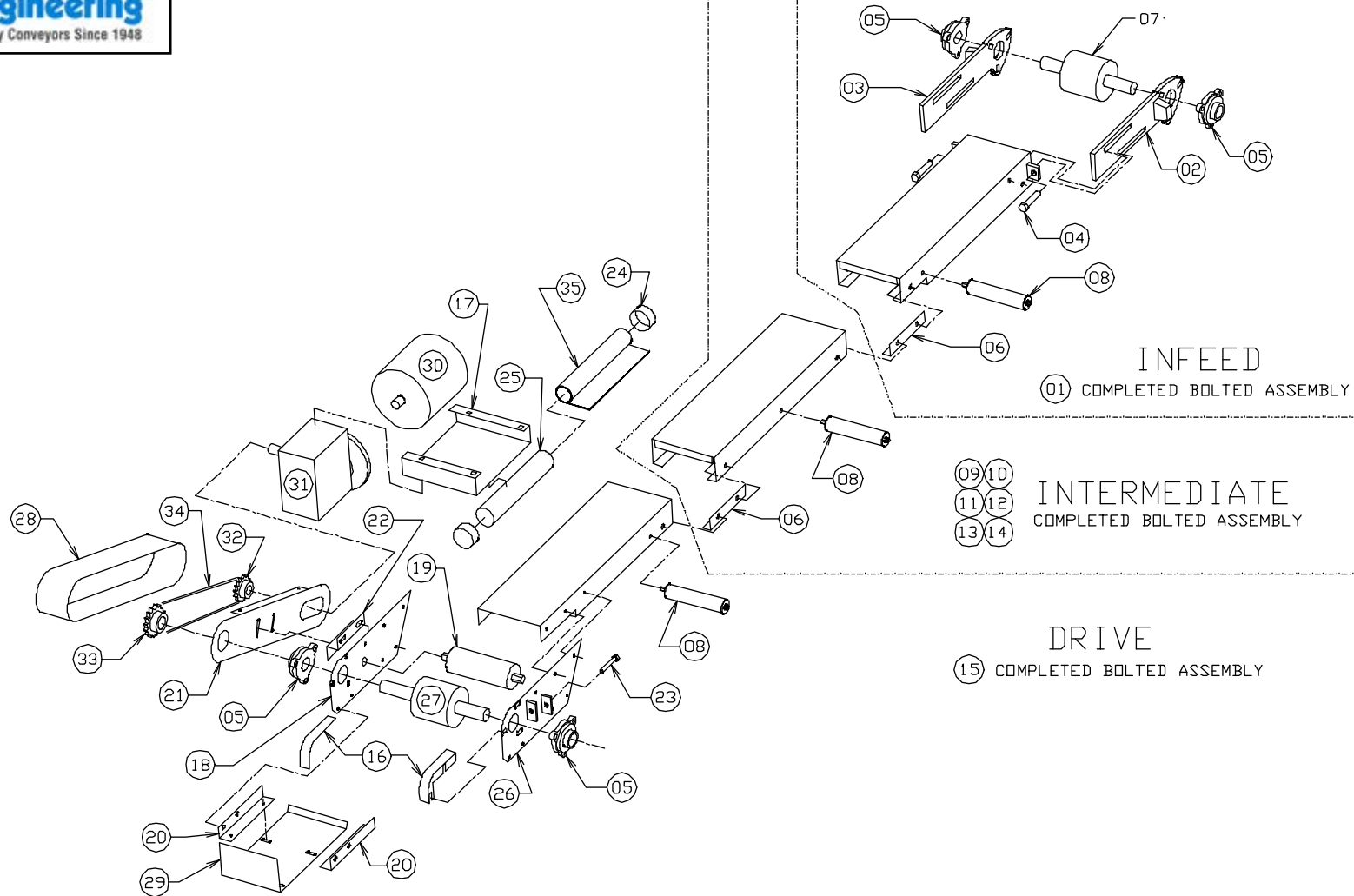


## Replacement Parts List for Model # 301



### PN Description

- 1 Infeed Section Assembly
- 2 • **Left Hand Take-up Bar**
- 3 • **Right Hand Take-up Bar**
- 4 • **1/2" x 6" Take-up Bolt**
- 5 • **1 3/16" 3 Bolt Flange Bearing**
- 6 Splice Link Angle
- 7 • **Infeed Pulley**  
(4" dia CF x 1 3/16")

### 8 • **Return Roller/Hex Shaft** (1 3/8" x 5/16")

- 9 6" Intermediate Section Assy
- 10 12" Intermediate Section Assy
- 11 24" Intermediate Section Assy
- 12 48" Intermediate Section Assy
- 13 84" Intermediate Section Assy
- 14 120" Intermediate Section Assy
- 15 Drive Section Assy
- 16 End Pulley Guard

### 17 Motor Base

- 18 Right Hand Drive Plate Weldment
- 19 • **Snub Roller/ Hex Shaft**
- 20 Snub Guard Angle
- 21 Guard Back
- 22 Drive Guard Bracket
- 23 3/8" x 2 1/2" Push Bolt
- 24 Manual Tube Cap
- 25 Manual Tube Weldment
- 26 Left Hand Drive Plate Weldment

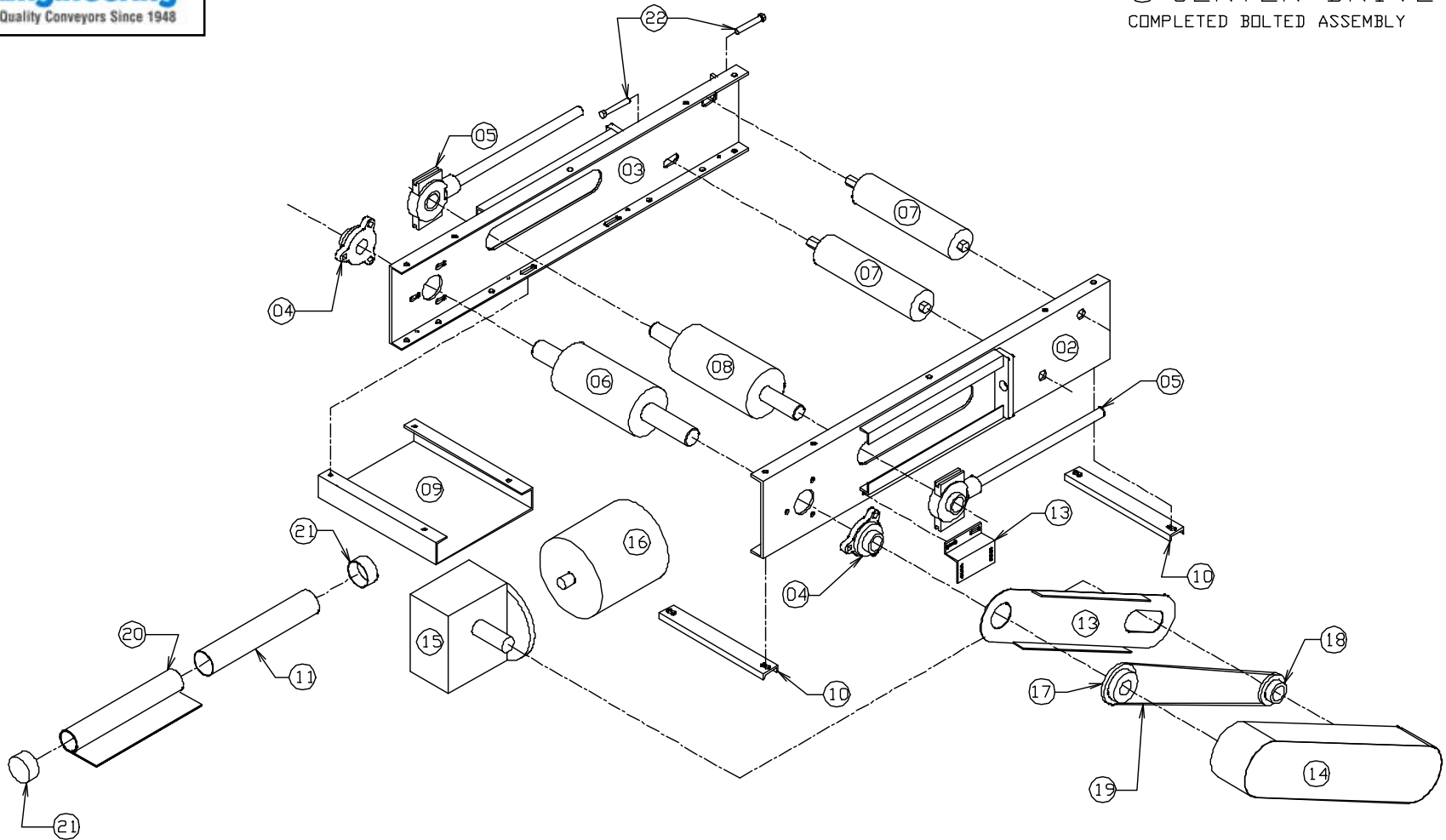
### 27 • **Drive Pulley** (4" dia CFRL x 1 3/16")

- 28 Guard Weldment
- 29 Snub Guard Assembly
- 30 • **Motor**
- 31 • **Reducer**
- 32 • **Drive Sprocket**
- 33 • **Driven Sprocket**
- 34 • **Chain**
- 35 Manual

• **Recommended spare parts to be stocked at your location**

## Replacement Parts List for Model # 301 Center Drive

Ⓢ CENTER DRIVE  
COMPLETED BOLTED ASSEMBLY



### PN Description

- 1 Center Drive & Take-up Section Assembly
- 2 Motor Side Drive Plate
- 3 Non-Motor Side Drive Plate
- 4 • 1 3/16" 3 Bolt Flange Bearing
- 5 • Take-up Bearing Assembly

- 6 • Drive Pulley (4" dia CFRL x 1 3/16")
- 7 • Snub Roller/Hex Shaft (2 1/2" dia x 11/16")
- 8 • Take-up Pulley (4" dia CF x 1 3/16")
- 9 Motor Base
- 10 Channel Spreader

- 11 Manual Tube
- 12 "Z" Bracket
- 13 Guard Back
- 14 Guard Weldment
- 15 • Reducer
- 16 • Motor
- 17 • Driven Sprocket
- 18 • Drive Sprocket

- 19 • Chain
- 20 Manual
- 21 Manual Tube Cap
- 22 Take-up Bolt

• Recommended spare parts to be stocked at your location