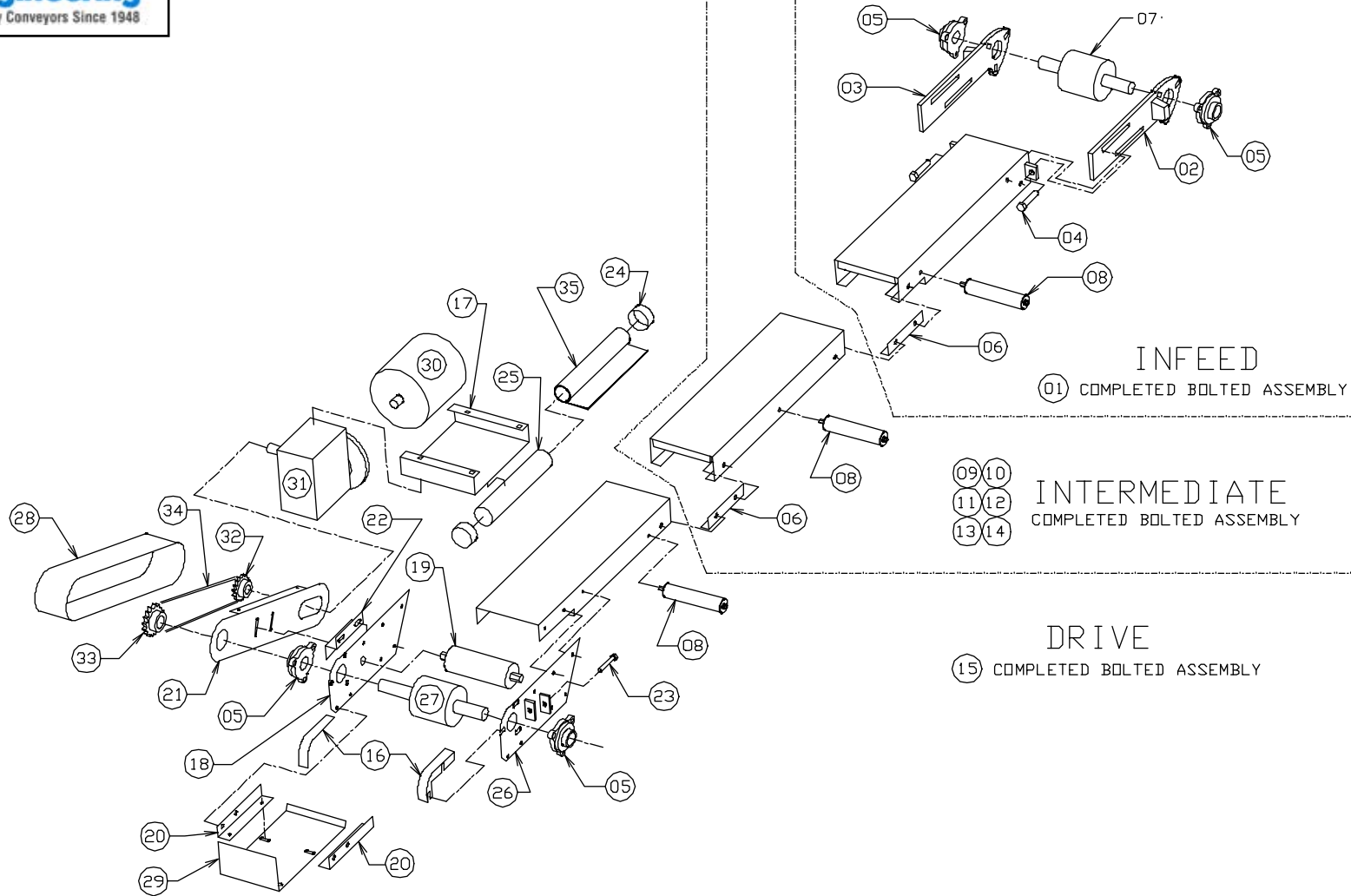


Replacement Parts List for Model # 200



PN Description

- 1 Infeed Section Assembly
- 2 • **Left Hand Take-up Bar**
- 3 • **Right Hand Take-up Bar**
- 4 • **1/2" x 6" Take-up Bolt**
- 5 • **1 3/16" 3 Bolt Flange Bearing**
- 6 Splice Link Angle

- 7 • **Infeed Pulley (4" dia CF x 1 3/16")**
- 8 • **Return Roller/Hex Shaft (1 3/8" x 5/16")**
- 9 6" Intermediate Section Assy
- 10 12" Intermediate Section Assy
- 11 24" Intermediate Section Assy
- 12 48" Intermediate Section Assy
- 13 84" Intermediate Section Assy

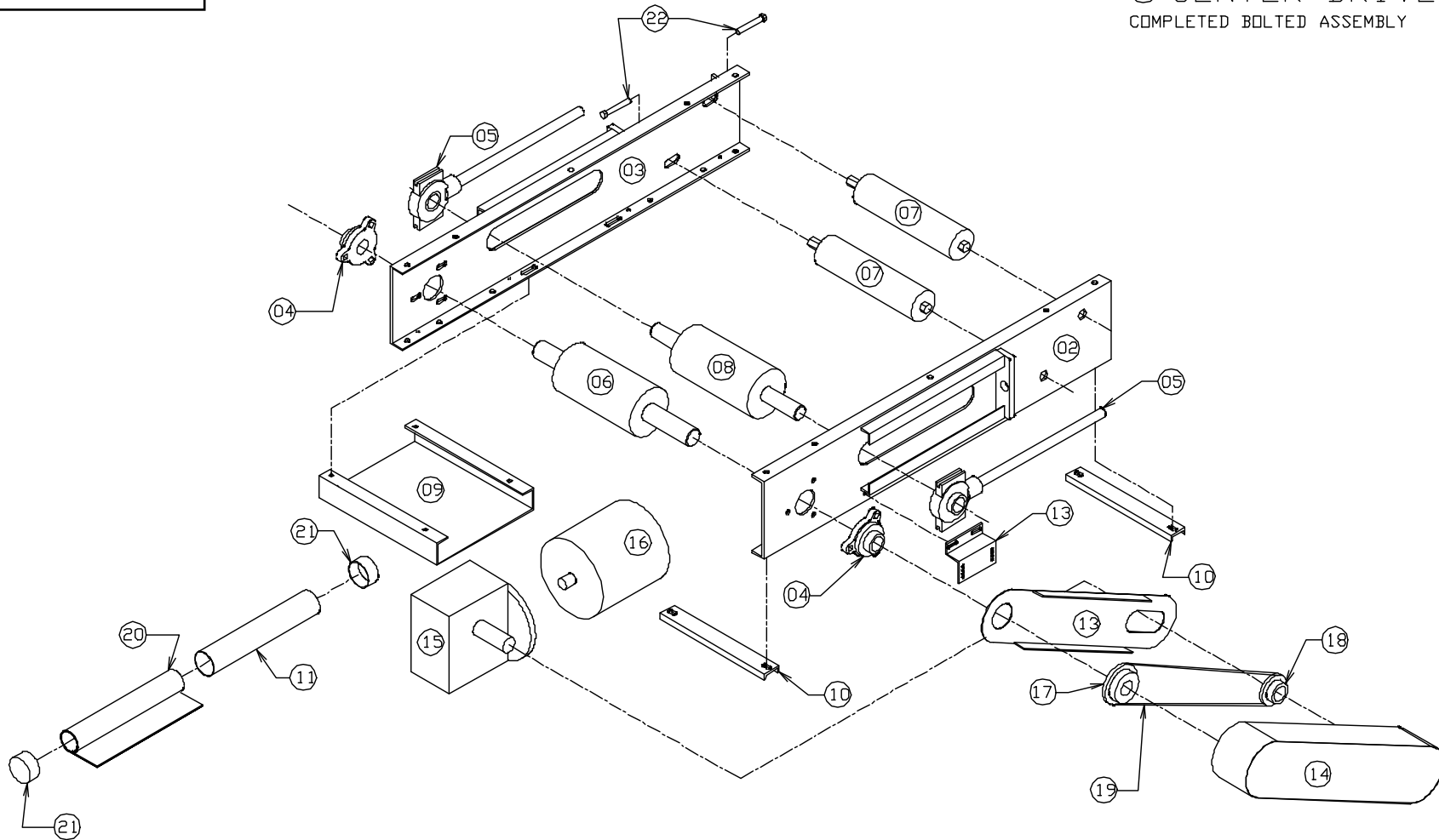
- 14 120" Intermediate Section Assy
- 15 Drive Section Assy
- 16 End Pulley Guard
- 17 Motor Base
- 18 Right Hand Drive Plate Weldment
- 19 • **Snub Roller/ Hex Shaft**
- 20 Snub Guard Angle

- 21 Guard Back
- 22 Drive Guard Bracket
- 23 3/8" x 2 1/2" Push Bolt
- 24 Manual Tube Cap
- 25 Manual Tube Weldment
- 26 Left Hand Drive Plate Weldment
- 27 • **Drive Pulley (4" dia CFRL x 1 3/16")**

- 28 Guard Weldment
- 29 Snub Guard Assembly
- 30 • **Motor**
- 31 • **Reducer**
- 32 • **Drive Sprocket**
- 33 • **Driven Sprocket**
- 34 • **Chain**
- 35 Manual
- **Recommended spare parts to be stocked at your location**

Replacement Parts List for Model # 200 Center Drive

① CENTER DRIVE
COMPLETED BOLTED ASSEMBLY



PN Description

1 Center Drive & Take-up Section Assembly	6 • Drive Pulley (4" dia CFRL x 1 3/16")	12 "Z" Bracket	21 Manual Tube Cap
2 Motor Side Drive Plate	7 • Snub Roller/Hex Shaft (2 1/2" dia x 11/16")	13 Guard Back	22 Take-up Bolt
3 Non-Motor Side Drive Plate	8 • Take-up Pulley (4" dia CF x 1 3/16")	14 Guard Weldment	
4 • 1 3/16" 3 Bolt Flange Bearing	9 Motor Base	15 • Reducer	• denotes Common Stock Parts
5 • Take-up Bearing Assembly	10 Channel Spreader	16 • Motor	
	11 Manual Tube	17 • Driven Sprocket	
		18 • Drive Sprocket	
		19 • Chain	
		20 Manual	